


Wreath Candy Holder
Project inspired by Home Depot Rustic Pumpkin Holder
Step Out Illustrations by Damask Love

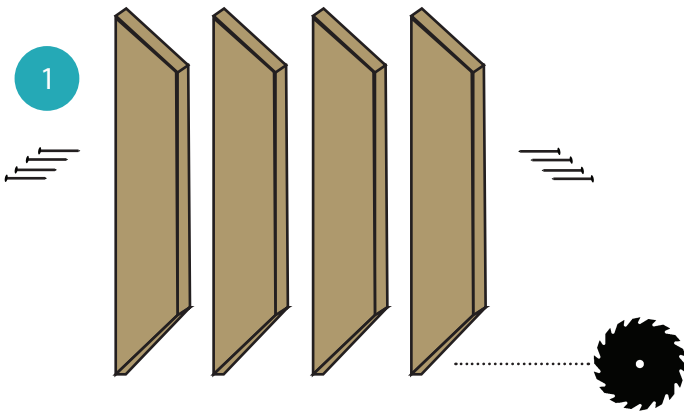


one piece 1/2" x 4" wood strip (you'll need about 4 ft in length)

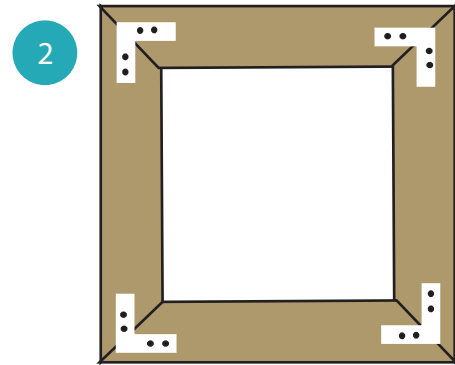


1/2" x 2" piece of moulding (about 18" in length)

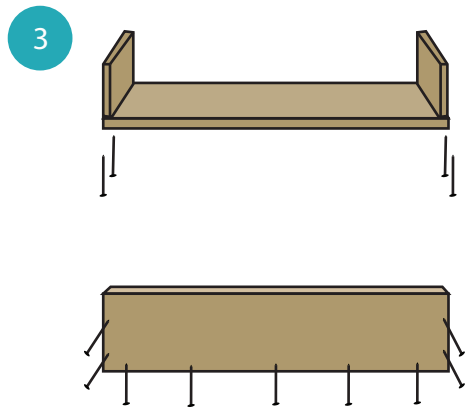
OTHER TOOLS:
Nail gun or hammer and nails
paint (optional)
rotary saw or hand saw
miter box
screwdriver
L brackets



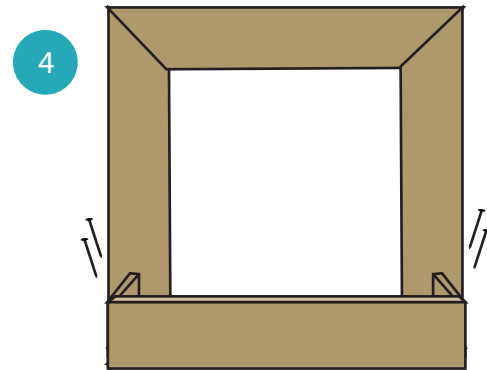
use the miter box to create four pieces as shown



attach the wood into a frame using L brackets



create a box as shown, using the 1/2" x 4" wood strip for the front and the 1/2" x 2" for the bottom and sides



nail the box to the front of the frame and paint
DONE!